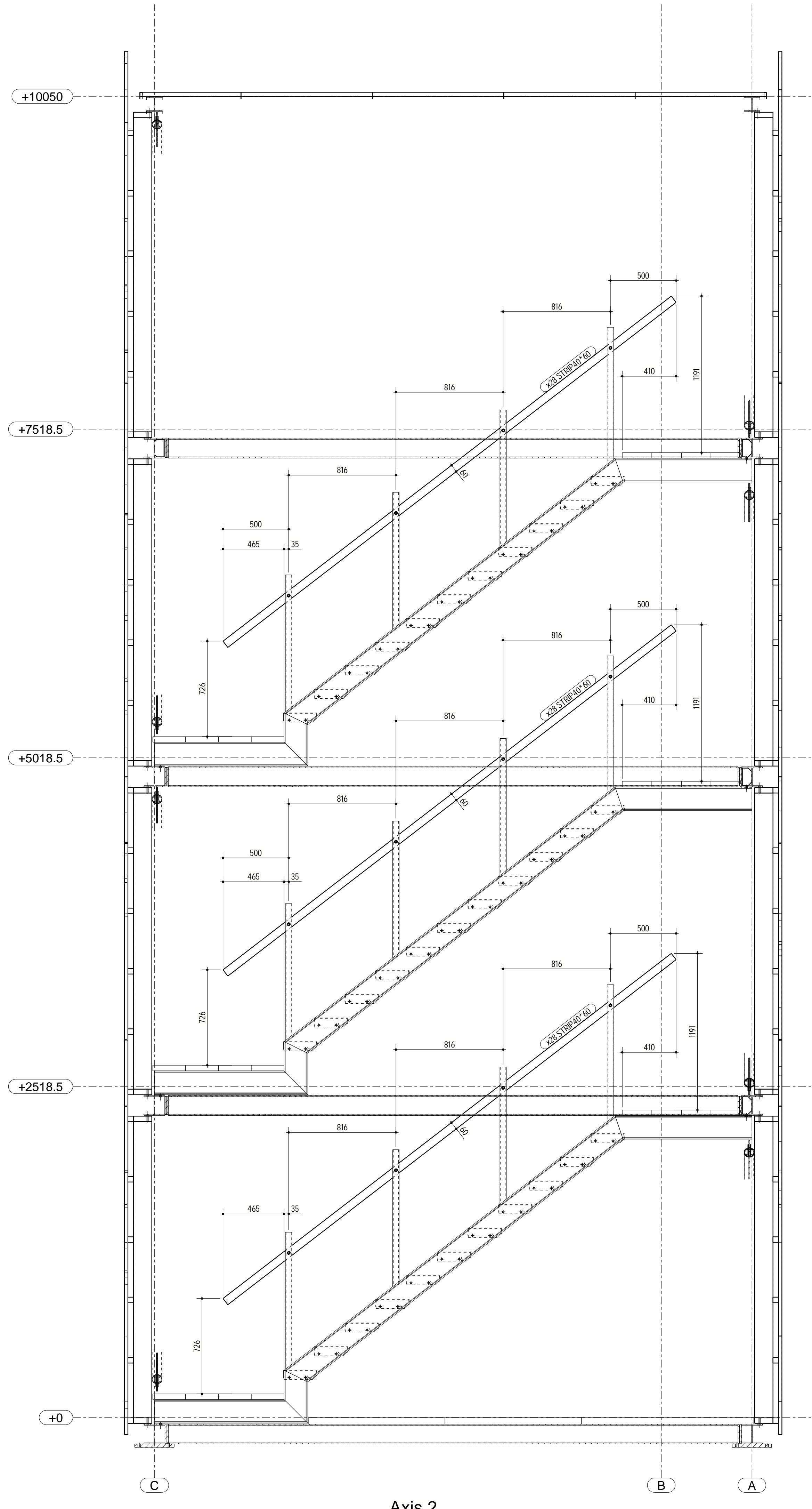
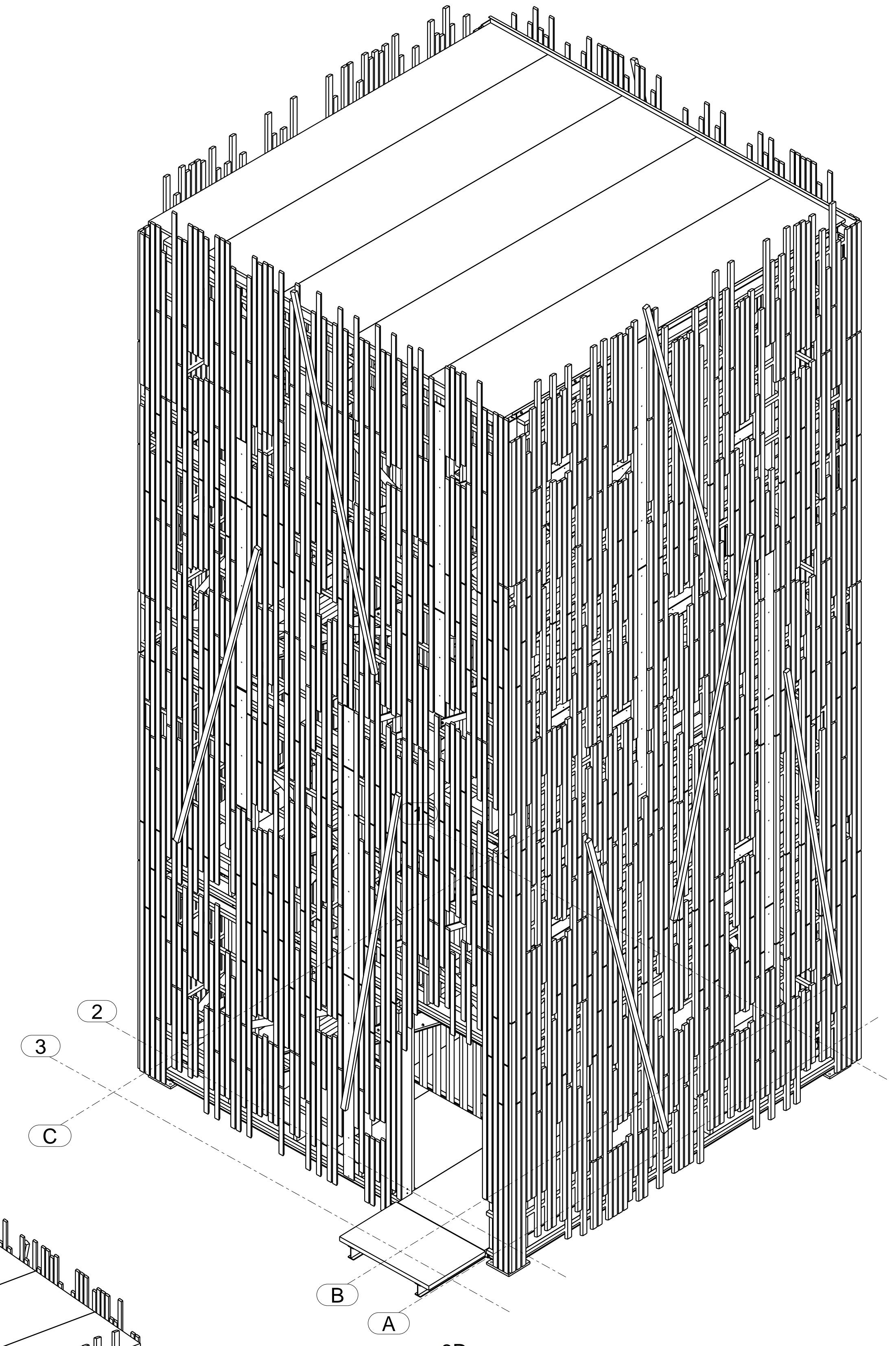


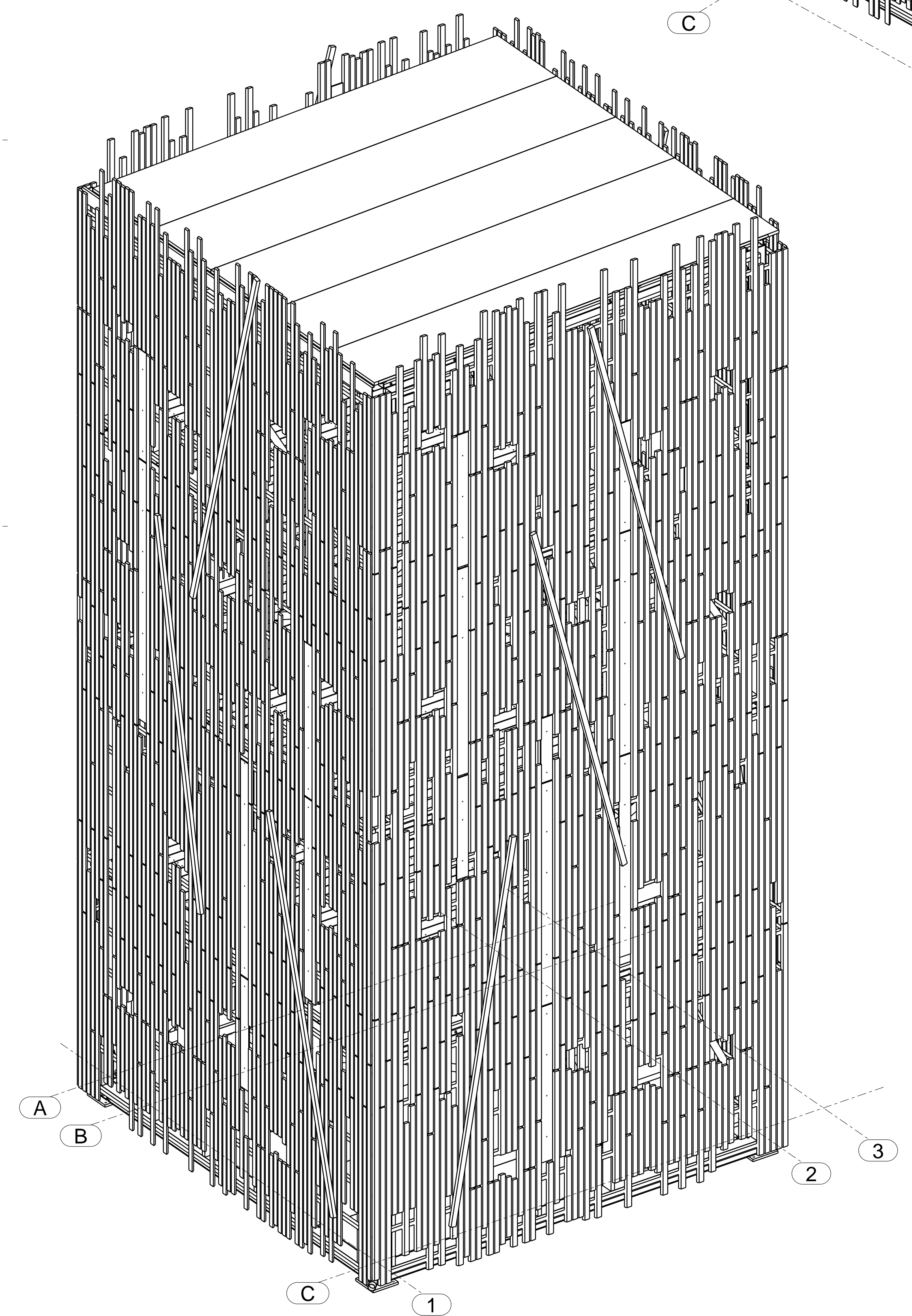
1 - 1
SCHAAL 1:20 002



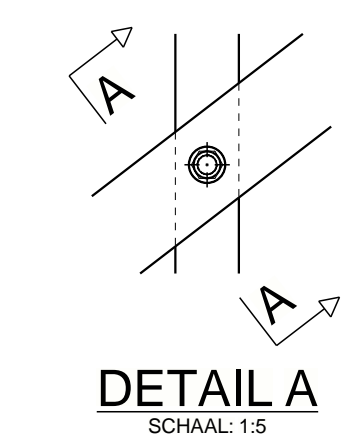
Axis 2
SCHAAL 1:20



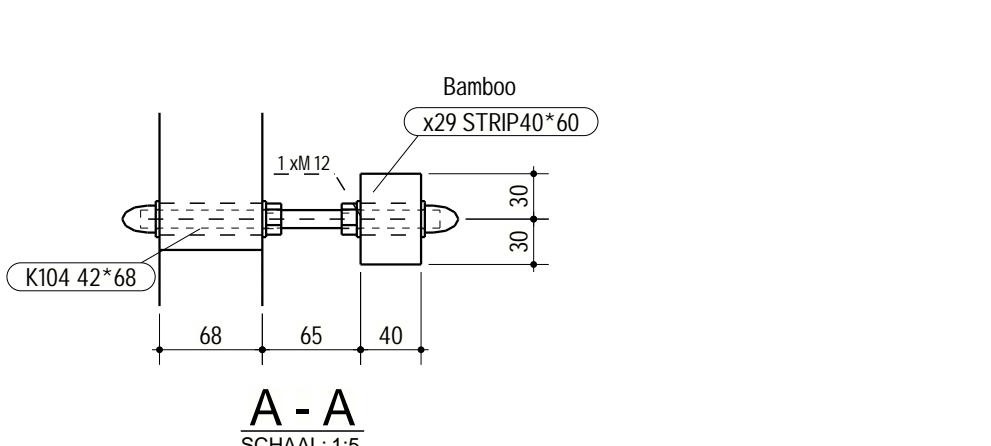
3D
SCHAAL 1:30



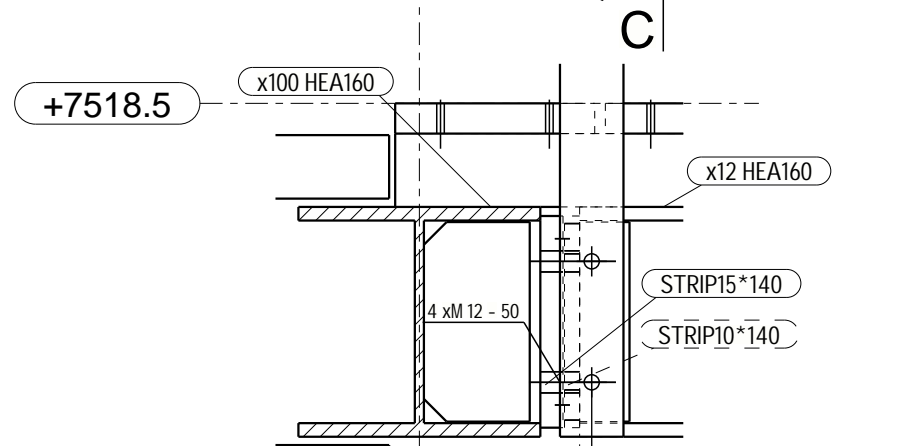
3D 180°
SCHAAL 1:30



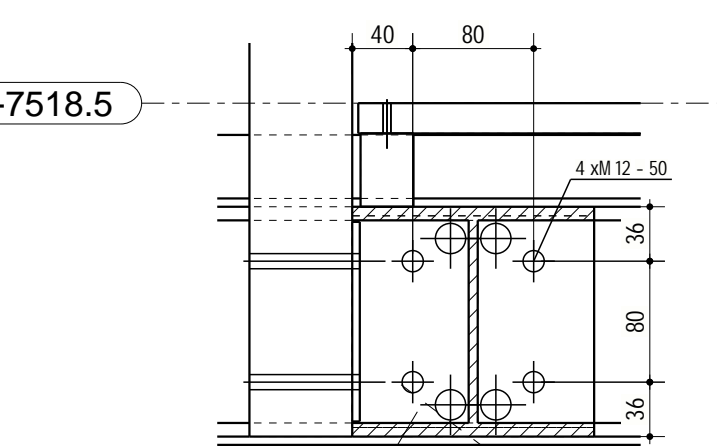
DETAIL A
SCHAAL 1:5



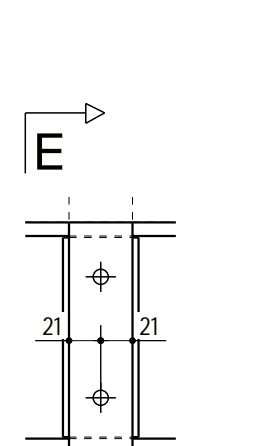
A - A
SCHAAL 1:5



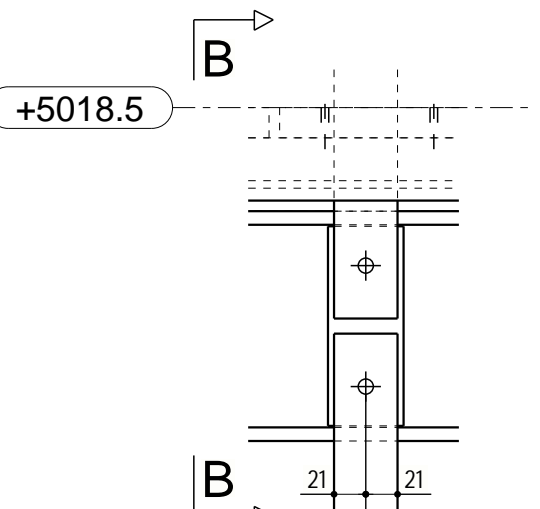
DETAIL C
SCHAAL 1:5



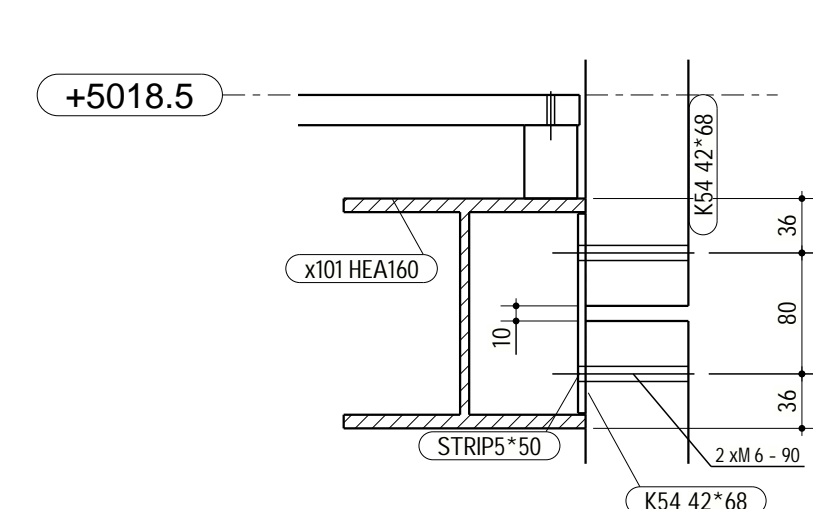
C - C
SCHAAL 1:5



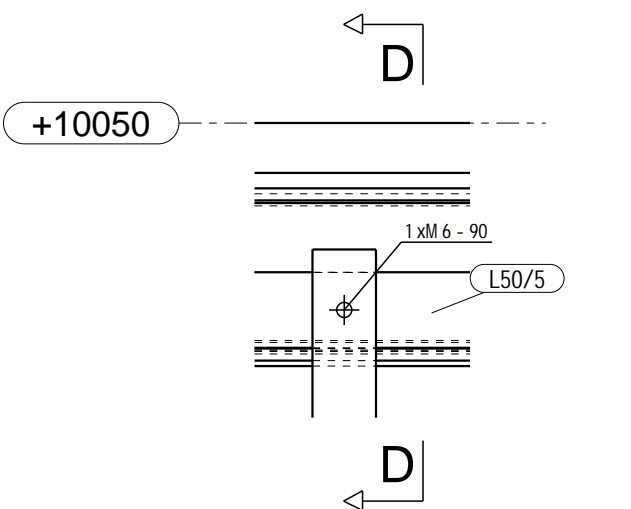
DETAIL E
SCHAAL 1:5



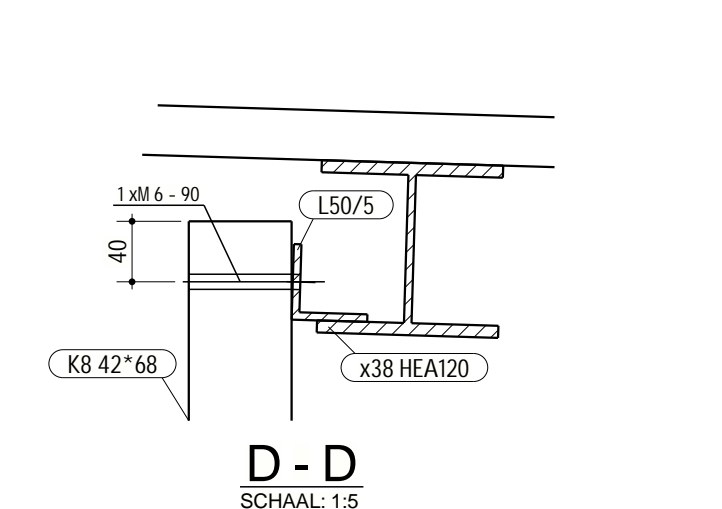
DETAIL B
SCHAAL 1:5



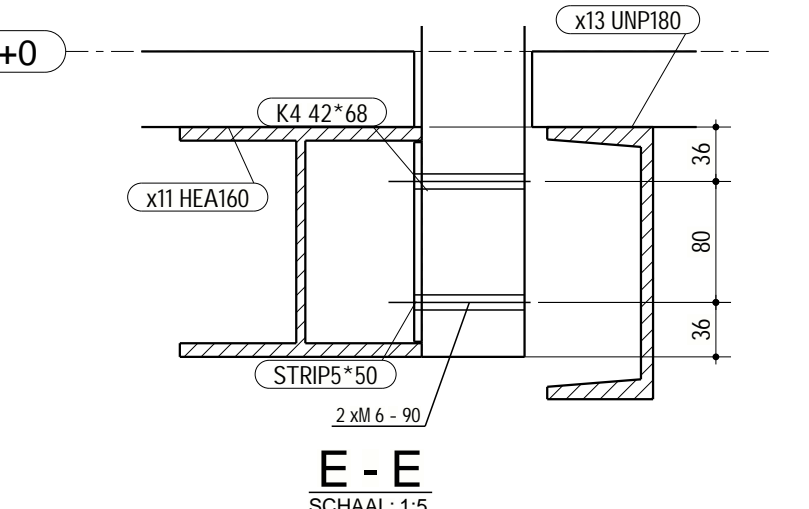
B - B
SCHAAL 1:5



DETAIL D
SCHAAL 1:5



D - D
SCHAAL 1:5



E - E
SCHAAL 1:5

		Baakensstraat 9 9240 ZELE TEL 052/45.63.70 FAX 052/45.63.71 www.verhofssté.com	
PROJECT: De Blankaert Diksmuide			
TITLE: Wood 3D Watchtower 1			
According EN1090-2 EXECUTION CLASS EXC 2 STEEL TYPE SURFACE TREATMENT WPS 0401, 0301, 0501 WELDS FASTENERS		Unless noted otherwise	
		SLACHTHUISSTRAAT 71 - 9100 SINT-NIKLAAS - BELGIUM T: +32 3 777 95 19 F: +32 3 777 98 79 info@sbe.be www.sbe.be	
23/05/2019 First Issue		SWA SRO SRO	
SCALE: 1:5 1:20 1:30		PROJECT: 13661 DOCUMENT TYPE: TEK DEPARTMENT: S PHASE: - DOCUMENT NUMBER: 037 REVISION: 0	
IMPORTANT: This drawing is the property of Verhofssté nv, Baakensstraat 9, 9240 ZELE. It may not be copied, multiplied or reproduced in full or in part by third parties without prior written permission from Verhofssté nv.			