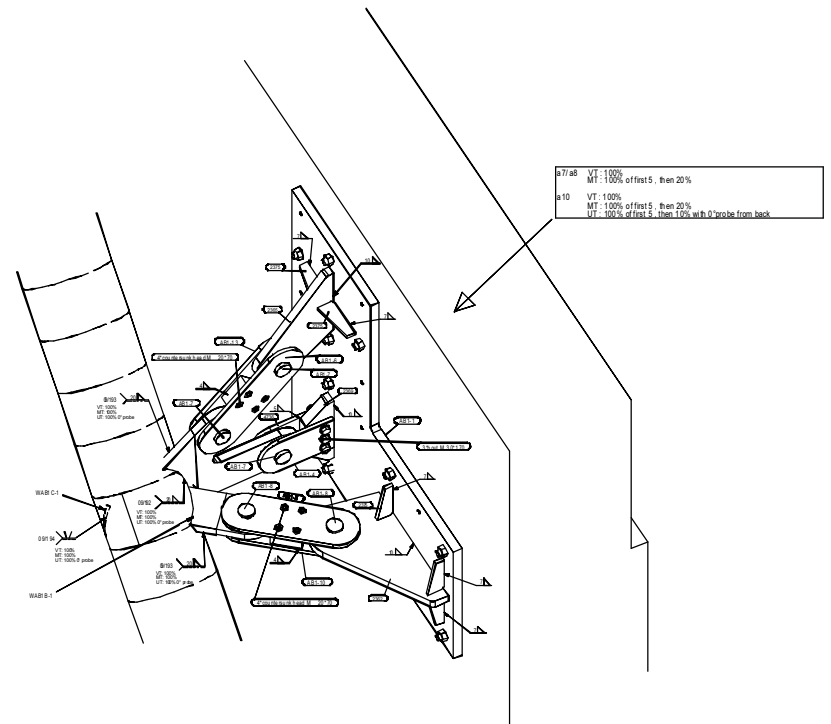
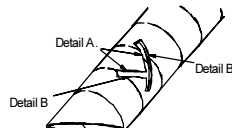
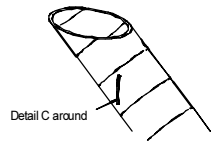
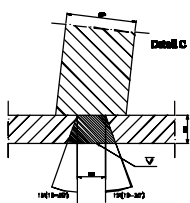
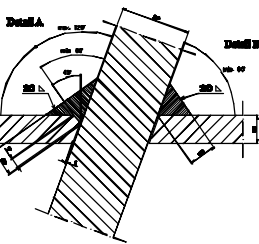
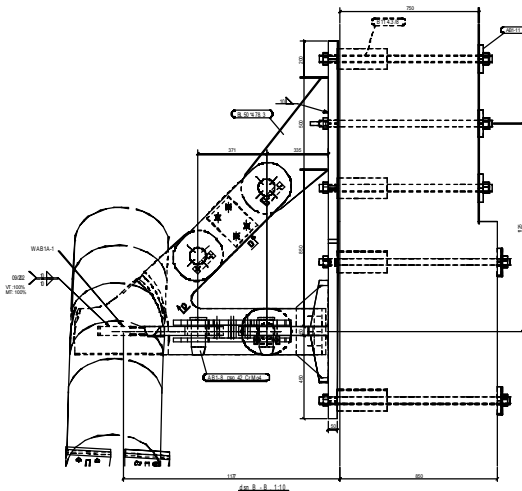
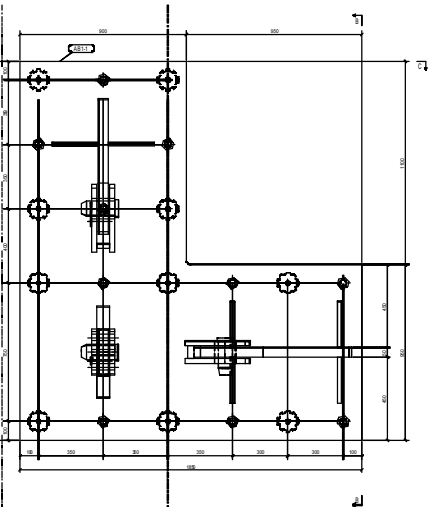
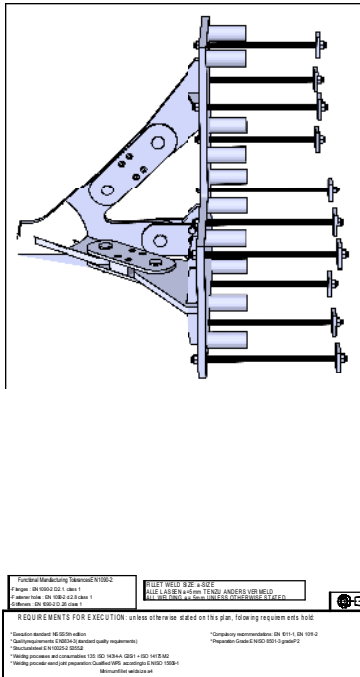


See production record of WAB1B and WAB2B-2 for corrective measures to WFS 09/192 and 09/193



a7/a8 VT: 100% of first 5, then 20%
 a10 VT: 100%
 MT: 100% of first 5, then 20%
 UT: 100% of first 5, then 10% with 0.7 probe from back



REFERENCE DRAWINGS
 ...
NOTES: See specification: that due to the high level of safety, the following apply:
 - See safety code: EN 1090-2 and EN 1090-3
 - See standards code: EN 1090-2 and EN 1090-3
 - See standards code: EN 1090-2 and EN 1090-3

CANARY WHARF - CROSSRAIL STATION

| | | | | |
|----|------------|------|----|------------------------|
| NO | | DATE | BY | REVISION |
| 01 | 10/10/2013 | JCS | JK | Issue for construction |
| 02 | 10/10/2013 | JCS | JK | Issue for construction |
| 03 | 10/10/2013 | JCS | JK | Issue for construction |
| 04 | 10/10/2013 | JCS | JK | Issue for construction |
| 05 | 10/10/2013 | JCS | JK | Issue for construction |
| 06 | 10/10/2013 | JCS | JK | Issue for construction |
| 07 | 10/10/2013 | JCS | JK | Issue for construction |
| 08 | 10/10/2013 | JCS | JK | Issue for construction |
| 09 | 10/10/2013 | JCS | JK | Issue for construction |
| 10 | 10/10/2013 | JCS | JK | Issue for construction |
| 11 | 10/10/2013 | JCS | JK | Issue for construction |
| 12 | 10/10/2013 | JCS | JK | Issue for construction |
| 13 | 10/10/2013 | JCS | JK | Issue for construction |
| 14 | 10/10/2013 | JCS | JK | Issue for construction |
| 15 | 10/10/2013 | JCS | JK | Issue for construction |
| 16 | 10/10/2013 | JCS | JK | Issue for construction |
| 17 | 10/10/2013 | JCS | JK | Issue for construction |
| 18 | 10/10/2013 | JCS | JK | Issue for construction |
| 19 | 10/10/2013 | JCS | JK | Issue for construction |
| 20 | 10/10/2013 | JCS | JK | Issue for construction |

REQUIREMENTS FOR EXECUTION - unless otherwise stated on this plan, following requirements apply:
 * Execution according to EN 1090-2 and EN 1090-3
 * Welding process according to EN 1090-2 and EN 1090-3
 * Welding process according to EN 1090-2 and EN 1090-3
 * Welding process according to EN 1090-2 and EN 1090-3



Project: Canary Wharf Crossrail Station
 Client: Canary Wharf Properties (UK) Ltd
 Designer: Foster & Partners
 Contractor: AR Construction
 Date: 10/10/2013